

Brand | Flymo

Date | 05.03.04 | Sheet 1/2

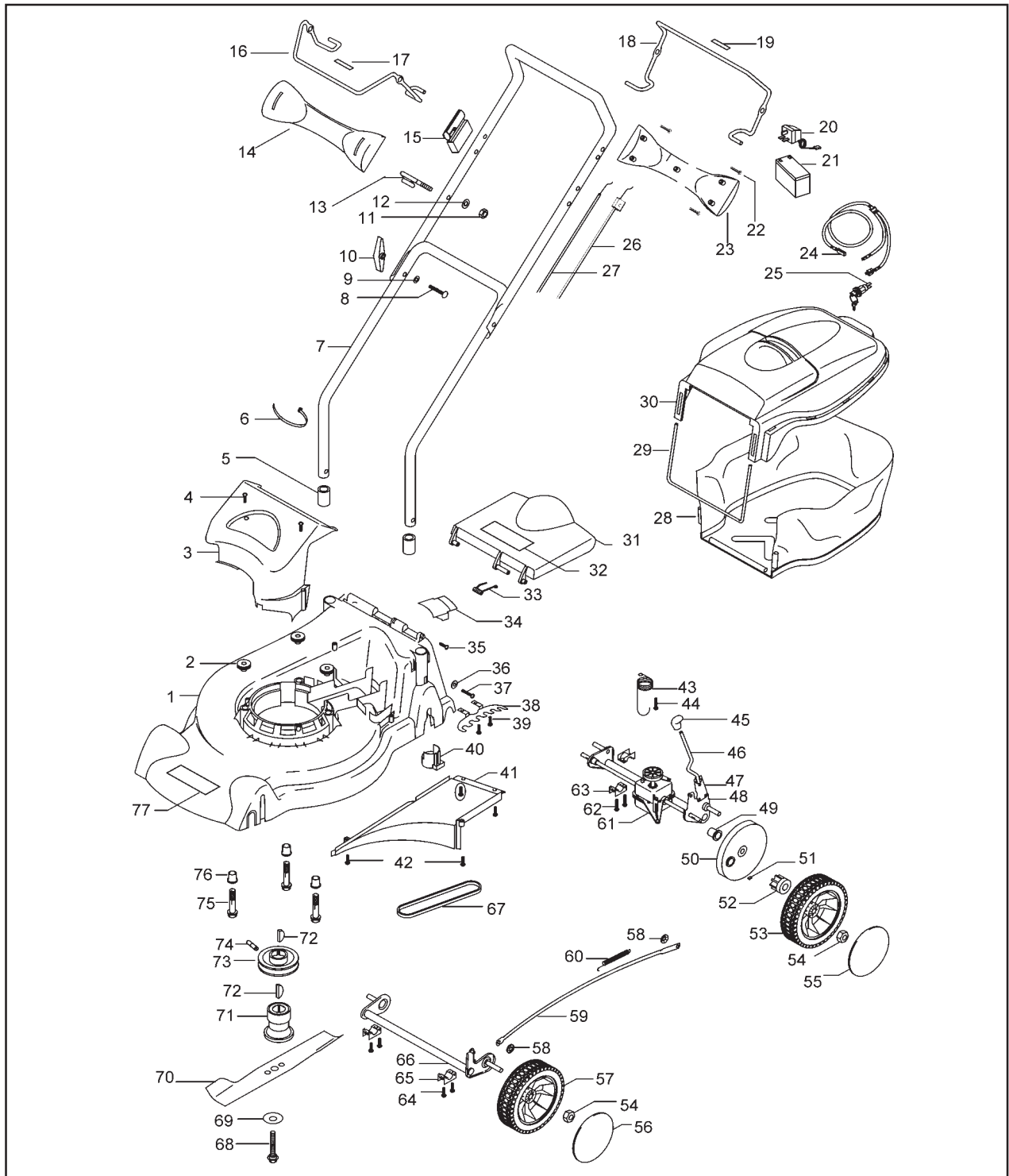
Publication No. AP0403003

**Model**

Lawmchief 450PDE

**Product Number**

9645421-00



Brand	Flymo	Pos
-------	-------	-----

Lawmchief 450PDE
------------------

Pos	Part No	Description	Qty	Pos	Part No	Description	Qty
				42	514975301	Screw	4
				43	513950802	Spring	1
				44	514975301	Screw	1
1	510704664	Deck 46cm	1	45	512792567	Knob Height Adjuster	1
2	514855100	Bush Deck Insulator	3	46	511925402	Change lever	1
3	510691064	460 Battery Cover	1	47	513865900	Spring	1
4	514975301	Screw No.8	2	48	511889800	Axle Rear	1
5	512799967	Deck Collar	2	49	514848500	Axle Bush	2
6	513084200	Tie Wrap	4	50	512688401	Backplate	2
7	511883968	Handle Lower	1	51	514883100	Pawl	2
8	514994503	M8 Coachbolt	2	52	LH 513805000	Drive Sprocket LH	1
9	514916400	Washer 8mm	2		RH 513805001	Drive Sprocket RH	1
10	512793167	Wing Knob M8	2	53	512796502	8" Wheel and Tyre	2
11	514718000	Nut M6 Nyloc	1	54	514913400	Nut M10 Nyloc	4
12	514026600	Washer	1	55	512799664	Hub Cap 8"	2
13	513076300	Cord Guide	1	56	512799364	Hub Cap 7"	2
14	510688064	Console Front	1	57	512794901	Wheel and Tyre 7"	2
15	512780168	Console Carrier Plate	2	58	514967900	Starlock Washer	2
16	510694967	Bale Arm Drive	1	59	511925402	Link Arm	1
17	513953100	Label Drive	1	60	513865900	Spring	1
18	510694867	Bale Arm Brake	1	61	512803400	Gearbox 1 Speed	1
19	513953200	Label Stop	1	62	513861800	Axle Clamp	4
20	513919601	Battery Charger	1	63	514975304	Screw	4
21	513866200	Battery	1	64	514975301	Screw	4
22	514975301	Screw	5	65	513861800	Axle Clamp	2
23	510688164	Console Rear	1	66	511889200	Axle Front	1
24	513092805	Loom Assembly	1	67	513910903	V Belt	1
25	516844602	Key	1	68	514667710	Blade Bolt	1
26	513060600	Cable Clutch	1	69	513948000	Washer Bevelled	1
27	513748300	Cable Brake	1	70	511922400	Blade 45cm	1
28	511926003	Softbox	1	71	512800000	Blade Adpator	1
29	513934801	Softbox bar	1	72	514005300	Key (Woodruff)	2
30	510691164	Hardtop	1	73	512776800	Vee Pulley	1
31	510685964	Safety Flap	1	74	513869200	M8 Grub Screw	1
32	513998700	Warning Label	1	75	514916700	Bolt Engine Shank	3
33	513862000	Safety Flap Spring	1	76	513962100	Bush Deck Insulator	3
34	513933867	460 Drive Cover	1	77	513956680	Label	1
35	514919701	Screw	1	78			
36	514992300	Washer	2				
37	514931300	Screw	2				
38	512786300	Quadrant 6 Position	1				
39	514975301	Screw	2				
40	513050868	Handle Support	2				
41	510690967	460 Collection Plate	1				